



# Self-Propelled Telescopic Booms

## S<sup>®</sup>-60 XC<sup>™</sup> & S<sup>®</sup>-65 XC<sup>™</sup>

### Specifications

Models	S-60 XC		S-65 XC	
	US	Metric	US	Metric
Measurements				
Working height maximum*	65 ft 8.5 in	20.20 m	71 ft 1 in	21.84 m
Platform height maximum	59 ft 8.5 in	18.20 m	65 ft 1 in	19.84 m
Horizontal reach maximum	50 ft 10 in	15.49 m	54 ft 2 in	16.51 m
Below ground reach	5 ft 7 in	1.70 m	5 ft 7 in	1.70 m
<b>A</b> Platform length - 8 ft model	3 ft	0.91 m	3 ft	0.91 m
<b>B</b> Platform width - 8 ft model	8 ft	2.44 m	8 ft	2.44 m
<b>C</b> Height - stowed	8 ft 11 in	2.72 m	8 ft 11 in	2.72 m
<b>D</b> Length - stowed	31 ft 11 in	9.73 m	31 ft 11 in	9.73 m
<b>E</b> Width	8 ft 2 in	2.49 m	8 ft 2 in	2.49 m
<b>F</b> Wheelbase	8 ft 3 in	2.52 m	8 ft 3 in	2.52 m
<b>G</b> Ground clearance - center	14.5 in	0.37 m	14.5 in	0.37 m

### Productivity

Maximum lift capacity - unrestricted	660 lb	300 kg	660 lb	300 kg
- restricted	1,000 lb	454 kg	1,000 lb	454 kg
Platform rotation	160°		160°	
Vertical jib rotation - up/down			135°	
Turntable rotation	360° continuous		360° continuous	
Turntable tailswing - axles retracted	4 ft 7.5 in	1.41 m	4 ft 7.5 in	1.41 m
Drive speed - stowed	3.0 mph	4.8 km/h	3.0 mph	4.8 km/h
- raised (below 60 ft)	0.68 mph	1.1 km/h	0.68 mph	1.1 km/h
Gradeability - stowed**	45%		45%	
Turning radius - axle retracted: inside	26 ft 4 in	8.03 m	26 ft 4 in	8.03 m
outside	32 ft 8 in	9.96 m	32 ft 8 in	9.96 m
Controls	12 V DC proportional		12 V DC proportional	
Tires - RT lug	355/55D 625 FF		355/55D 625 FF	

### Power

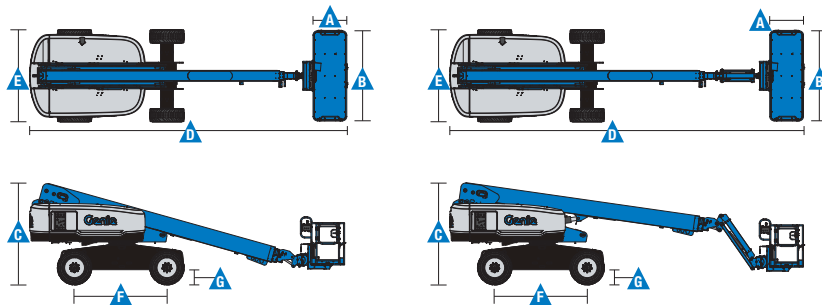
Power source	48 hp (35.79 kW) Deutz diesel T4f D2.9L4			
	48 hp (35.79 kW) Deutz diesel T4i D2011L03i			
	49 hp (36.54 kW) Perkins turbo diesel T4f 404F-E22T			
	74 hp (55.18 kW) Deutz turbo diesel T4i D2011L04i			
	60 hp (44.74 kW) Ford gas/LPG MSG425			
Auxiliary power unit	12 V DC		12 V DC	
Hydraulic tank capacity	45 gal	170 L	45 gal	170 L
Fuel tank capacity - diesel	35 gal	132 L	35 gal	132 L
- gas	30 gal	114 L	30 gal	114 L

### Weight\*\*\*

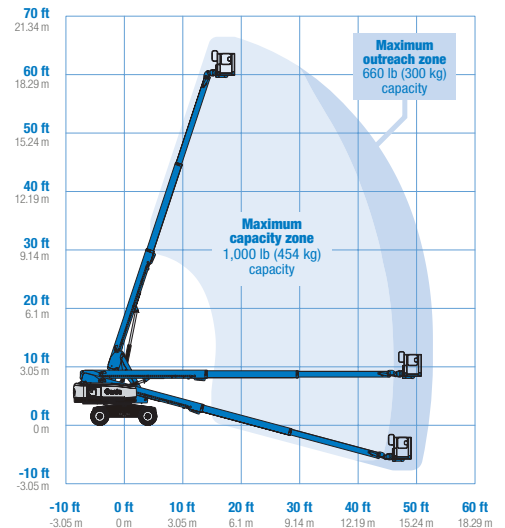
4WD	22,900 lbs	10,387 kg	24,900 lbs	11,294 kg
-----	------------	-----------	------------	-----------

### Standards Compliance

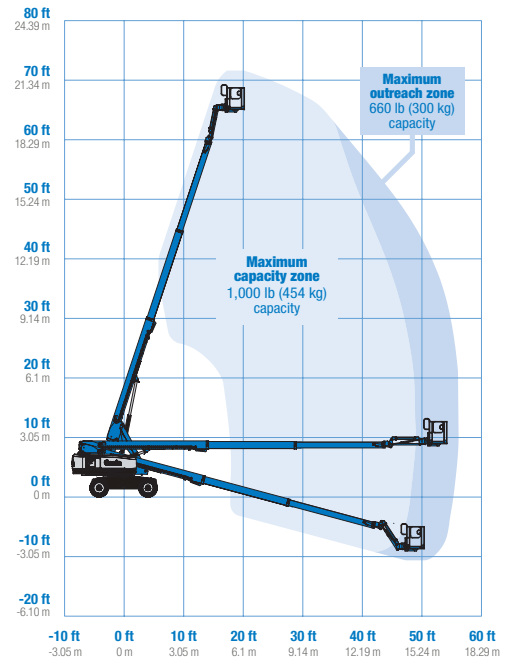
ANSI/SAIA A92.20, CSA B354.7, GB 25849, EN 280, AS/NZS 1418.10



### Range Of Motion S-60 XC



### Range Of Motion S-65 XC



\* The metric equivalent of working height adds 2 m to platform height. U.S. adds 6 ft to platform height.

\*\* Gradeability applies to driving on slopes, see operator's manual for details regarding slope ratings.

\*\*\* Weight will vary depending on slope, see operator's manual for details regarding slope ratings.

\*\*\*\* S-60 XC not available with track system



# Self-Propelled Telescopic Booms

## S<sup>®</sup>-60 XC<sup>™</sup> & S<sup>®</sup>-65 XC<sup>™</sup>

### Features

#### Standard Features

##### Measurements

###### S-60 XC

- 65 ft 8.5 in (20.20 m) working height
- 50 ft 10 in (15.49 m) horizontal reach
- 660 lbs (300 kg) unrestricted and 1,000 lbs (454 kg) restricted lift capacity

###### S-65 XC

- 71 ft 1 in (21.84 m) working height
- 54 ft 2 in (16.51 m) horizontal reach
- 660 lbs (300 kg) unrestricted and 1,000 lbs (454 kg) restricted lift capacity

##### Productivity

- Self-leveling platform
- 160° hydraulic platform rotation
- Proportional joystick controls
- Fuel select switch on platform and ground control panels (Gas/LPG models)
- Drive enable
- AC power cord to platform
- Horn
- Hour meter
- Tilt alarm
- Descent alarm
- 360° continuous turntable rotation
- Positive traction drive
- Two speed wheel motors
- Telematics ready connector
- Platform Load sense system
- Entry Toeboard
- Hydraulic oil cooler
- Alarm package
- Work tray
- Lift Guard<sup>™</sup> Contact Alarm

##### Power

- 12 V DC auxiliary power
- Anti-restart engine protection
- Auto engine fault shutdown
- Swing out engine tray
- Intake air heater (Deutz engine)

#### Easily Configured To Meet Your Needs

##### Platform Options

- Steel 8 ft (2.44 m) tri entry with side swing gate (standard)
- Steel 6 ft (1.83 m) dual entry with side swing gate
- Steel 4 ft (1.22 m)

##### Jib Options

- Non-jib (S-60 only)
- 5 ft (1.52 m) jib boom (S-65 only)

##### Engine Options

- 48 hp (35.79 kW) Deutz diesel T4f\* (standard)
- 49 hp (36.54 kW) Perkins diesel T4f\*
- 74 hp (55.18 kW) Deutz turbo diesel T4f\*
- 60hp (44.74 kW) Ford gas/LPG

##### Drive Options

- 4WD

##### Axle Options

- Active oscillation

##### Tire Options

- Rough terrain foam-filled (standard)
- Rough terrain non-marking foam-filled

#### Options & Accessories

##### Productivity Options

- Half-mesh platform inserts
- Platform top auxiliary rail
- Lift Power<sup>™</sup>
  - 3 kW AC Generator
  - 12 kW 240 V / 60 Hz Welder Ready package
  - 12 kW Welder Equipped, Select Lincoln or Miller (12 kW options include a fire extinguisher and fireproof sleeves)
- Air line to platform
- Specialty hydraulic oil (cold weather, fire resistant, or biodegradable)
- Hostile environment kit
- Deluxe hostile environment kit
- Aircraft protection package (6 ft platform)
- Thumb rocker steer
- Panel cradle package
- Lockable platform control box covers
- Second battery
- Tow package
- Work light package
- Operator Protective Structure<sup>\*\*\*\*\*</sup>
- Fall Arrest Bar

##### Power Options

- Engine gauge package<sup>\*\*\*</sup>
- Cold Weather Packages
- Diesel scrubber/muffler (catalytic muffler)<sup>\*\*\*\*</sup>
- LPG tank 33.5 lb (15.19 kg) capacity
- Intake air pre-cleaner<sup>\*\*\*\*\*</sup>



\* Also available as Tier 4i in limited regions  
\*\* Available only with Track system option  
\*\*\* Available only with Ford engine  
\*\*\*\* Available only with Tier4i diesel engines  
\*\*\*\*\* Available through aftermarket parts only

#### Genie United States

6464 185th Ave. NE  
Redmond, WA 98052  
Telephone +1 (425) 881-1800  
Toll Free in USA/Canada +1 (800)-536-1800  
Fax +1 (425) 883-3475

#### Distributed By:

Effective Date: October, 2017. Product specifications and prices are subject to change without notice or obligation. The photographs and/or drawings in this document are for illustrative purposes only. Refer to the appropriate Operator's Manual for instructions on the proper use of this equipment. Failure to follow the appropriate Operator's Manual when using our equipment or to otherwise act irresponsibly may result in serious injury or death. The only warranty applicable to our equipment is the standard written warranty applicable to the particular product and sale and we make no other warranty, express or implied. Products and services listed may be trademarks, service marks or trade names of Terex Corporation and/or their subsidiaries in the USA and many other countries. Terex, Genie and AWP are registered trademarks of Terex Corporation or its subsidiaries. © 2017 Terex Corporation.